

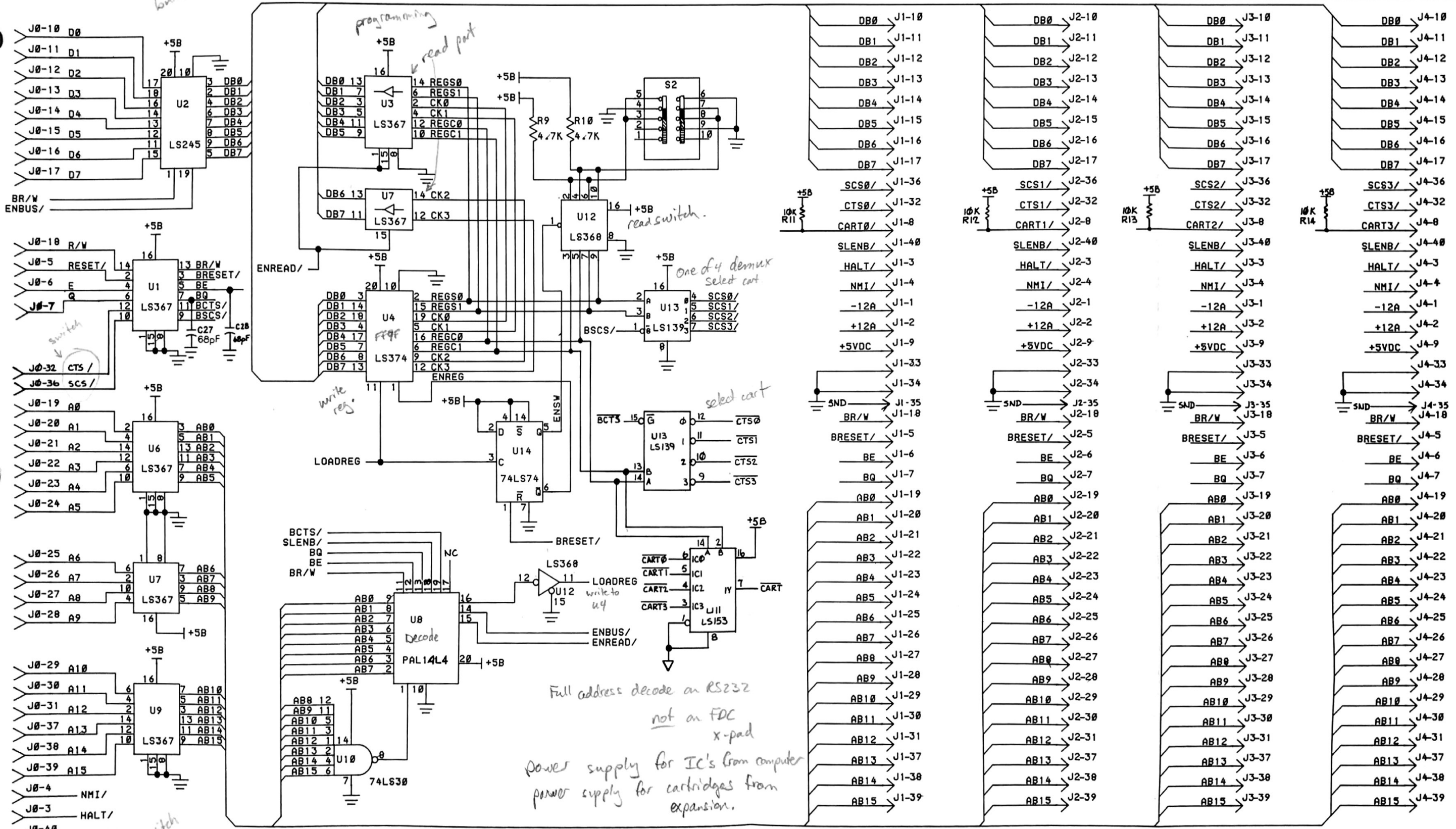
\$ FF9F

as soon as you do software  
switch, hardware switch disabled until reset.

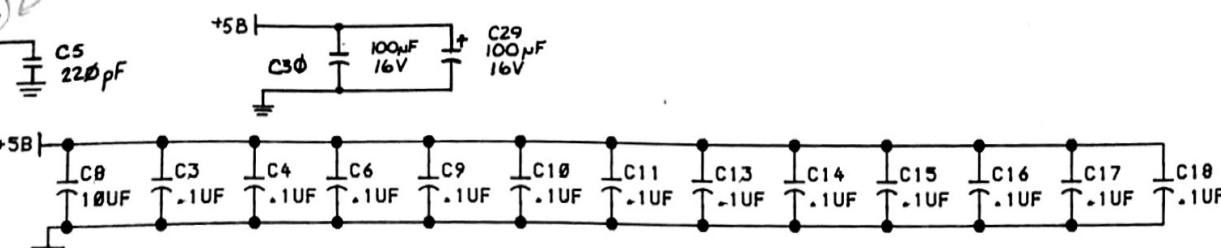
ZONE	LTR	REVISION DESCRIPTION	DATE	APPROVED
SHEET 2	A	TRANSFORMER ASSEMBLY ADDED	12-13-82	JMP
SHEET 2	B1	C1 100µF WAS C147µF	12-14-82	JMP
RELEASED FOR PRODUCTION			12-14-82	UNNA

buffers.

programming  
read port



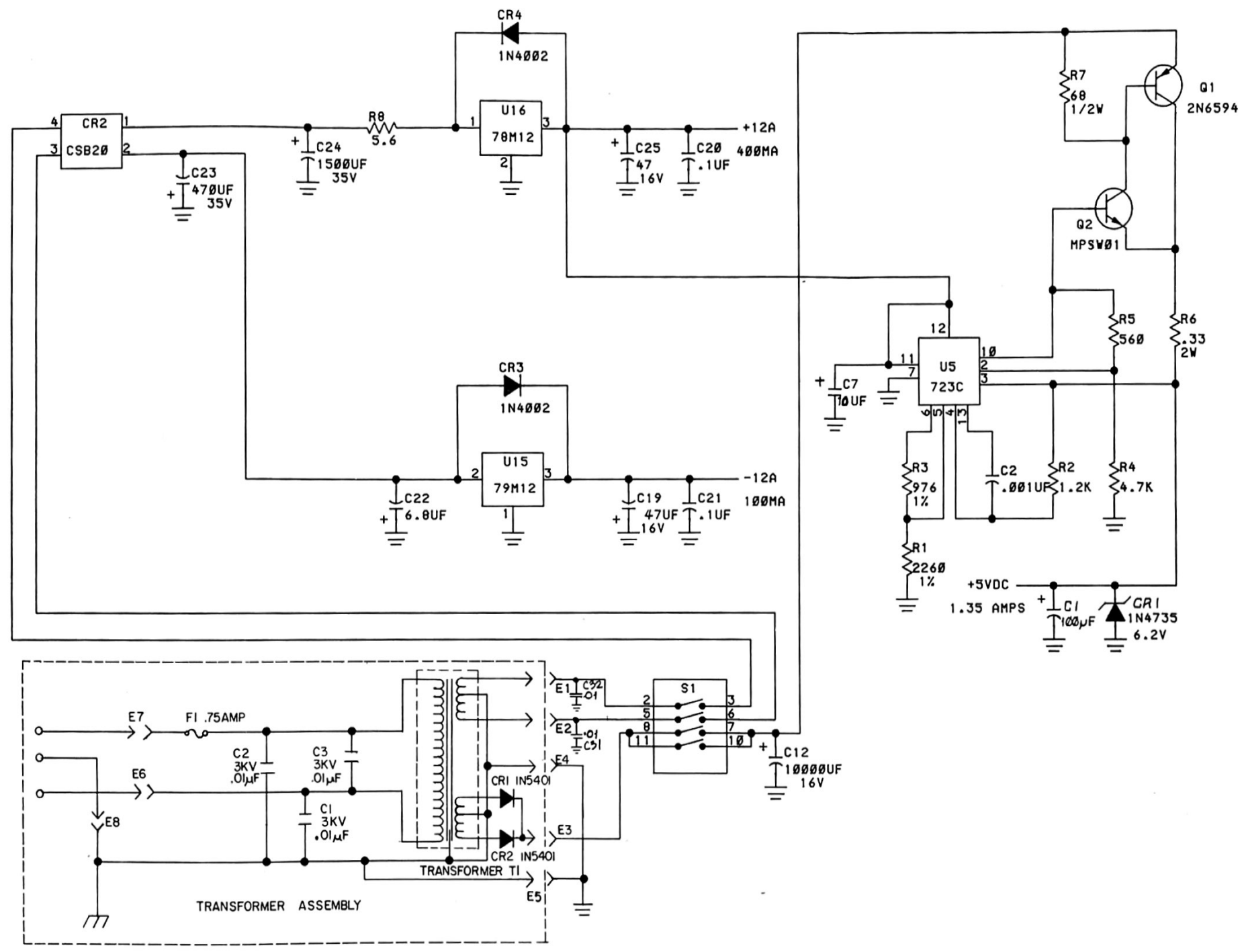
Full address decode on RS232  
not on FDC  
x-pad  
power supply for IC's from computer  
power supply for cartridges from expansion.



MATERIAL		UNLESS OTHERWISE SPECIFIED		DRAFT		DATE		TITLE	
FINISH		TOLERANCES .XX = ±.010 .XXX = ±.005 ANGLES = ±1°		CHEK		DATE		COLOR COMPUTER EXPANSION BOARD	
		HOLE DIA TOLERANCES .014 - .250 = +.005 -.001 .251 - .750 = +.008 -.001 .751 - UP = +.015 -.001		DESIGN		DATE			
		DIMENSIONS ARE IN INCHES AND APPLY AFTER PLATING		APPD		DATE			
		DO NOT SCALE THIS DRAWING		APPD		DATE			
		NEXT ASSY.		USED ON					
								DWG NO. 8000170 SIZE D	
								SCALE NONE SHEET 1 OF 2	



REF: DRILL PLAN D1700198



MATERIAL	UNLESS OTHERWISE SPECIFIED			DRAFT	DATE	TITLE
	TOLERANCES XX = ± .010    XXX = ± .005 ANGLES = ± 1°			CHECK	DATE	
FINISH	HOLE DIA TOLERANCES			DESIGN	DATE	
	.014 - .250 = +.005 -.001			APPD	DATE	
	.251 - .750 = +.008 -.001			APPD	DATE	
	.751 - UP = +.015 -.001					
DIMENSIONS ARE IN INCHES AND APPLY AFTER PLATING				<b>tandy</b>		
DO NOT SCALE THIS DRAWING		NEXT ASSY.	USED ON			
				DWG. NO. 8000170		SIZE
				SCALE	SHEET 2	OF 2